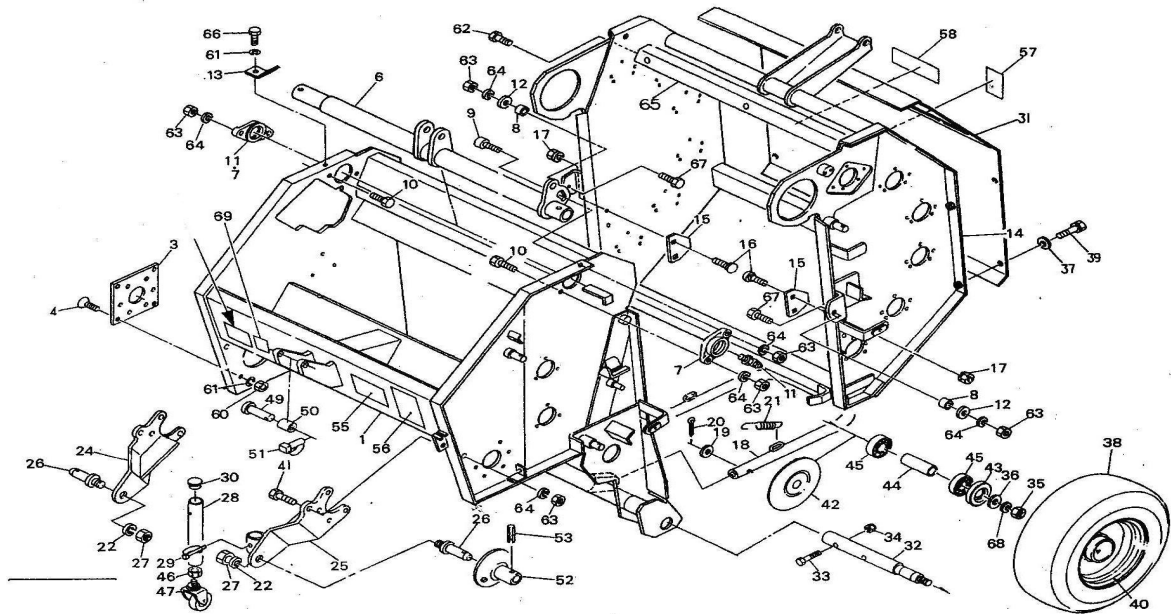


YK0850. YK0870 round baler

frame assy

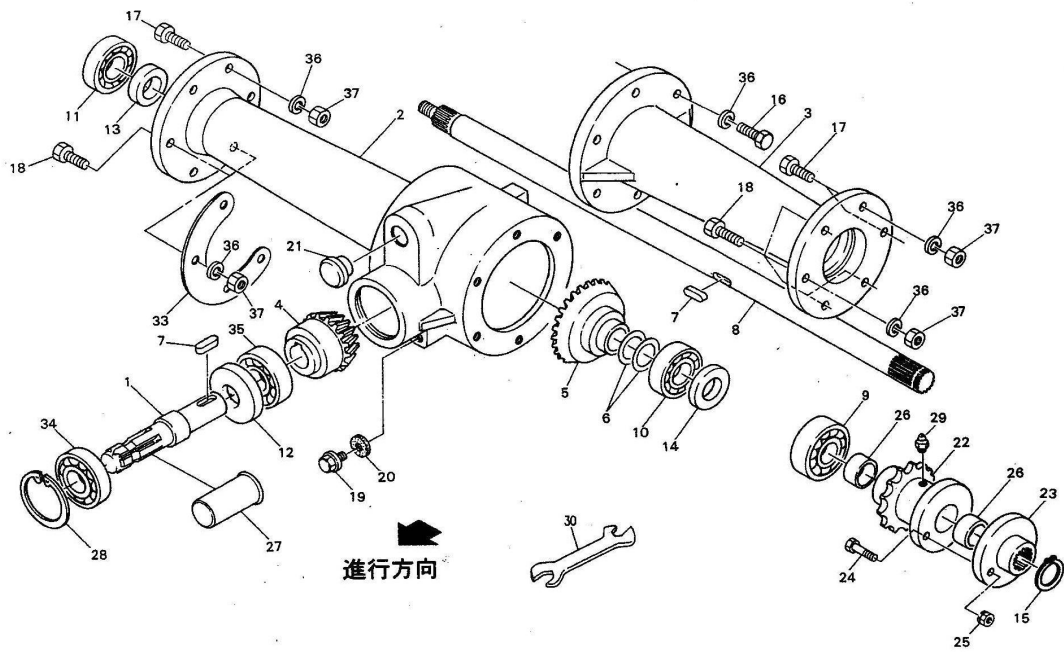


No.	Drawing No.	name	Qty
1	YK50.1-01-00	YK0850 front frame CP	1
	YK70.1-01-00	YK0870 front frame CP	1
3	YK70.1-02	Connecting plate	1
4	GB5786-86	Bolt M10×25 (8.8)	4
6	YK50.1-03-00	pivot pipe CP YK0850	1
	YK70.1-03-00	pivot pipe CP YK0870	1
7	YK70.1-04	top cover	2
8	YK70.1-05	sleeve	2
9	GB70.1-2000T	<b>HEXAGON SOCKET HEAD SCREW</b> M12*30 (10.9)	1
10	GB5786-86	Bolt M12×30 (8.8)	3

11	GB1152-79	grease nipple ONB6 M6×1	2
12	GB97.1-85	washer 12.5×3.2	2
13	YK70.1-06	Hanging plate	1
14	YK50.1-07-00	rear frame CP YK0850	1
	YK70.1-07-00	rear frame CP YK0870	1
15	YK70.1-08	Steel plate	2
16		square neck bolt M8×15 (8.8)	4
17	GB6710-86	Nut M8 (8.8)	4
18	YK70.1-09	ejector rod CP	1
19	GB97.1-85	Washer 10	1
20	GB91-87	Split pin 3.2×16	1
21	YK70.1-10	<b>extension spring A</b>	2
22	GB93-87	<b>spring washer 22</b>	2
24	YK70.1-11-00	Connectting arm CP: R	1
25	YK70.1-12-00	Connecting arm CP: L	1
26	YK70.1-13	Connection pin	2
27	GB6710-86	Hexagon nut M22XI.5 (8.8)	2
28	YK70.1-14-00	Supporting rod CP; 450A	1
29	HB4187-1989	<b>bayonet pin 9</b>	1
30	YK70.1-21	cover	1
31	YK50.1-15	YK0850 Rear cover	1

	YK70. 1-15	YK0870 Rear cover	1
32	YK70. 1-16	wheel axis	2
33	GB5786-86	Bolt M12×70 (8.8)	2
34	GB6710-86	Nylon locking nut M12	2
35	GB6710-86	<b>HEXagon NUT</b> M14	2
36	GB860-87	Washer 14	4
37	GB97. 1-85	Flat washer 8	9
38	GB1192-82(400-12)	Tire 5.70/5.00-8	2
39	GB5786-86	Bolt M8×16 (8.8)	9
40	YK70. 1-17	hub	2
41	GB5786-86	Bolt M12×55 (8.8)	2
42		cover	2
43		cover	2
44		bush	2
45	GB297-84	Bearing 6205-2RS	4
46	GB6710-86	<b>HEX NUT</b> M20 (8.8)	2
47		caster; 100	1
49	YK70. 1-18	Topper Connecting pin	1

YK0850 YK0870 round baler  
gearbox assy



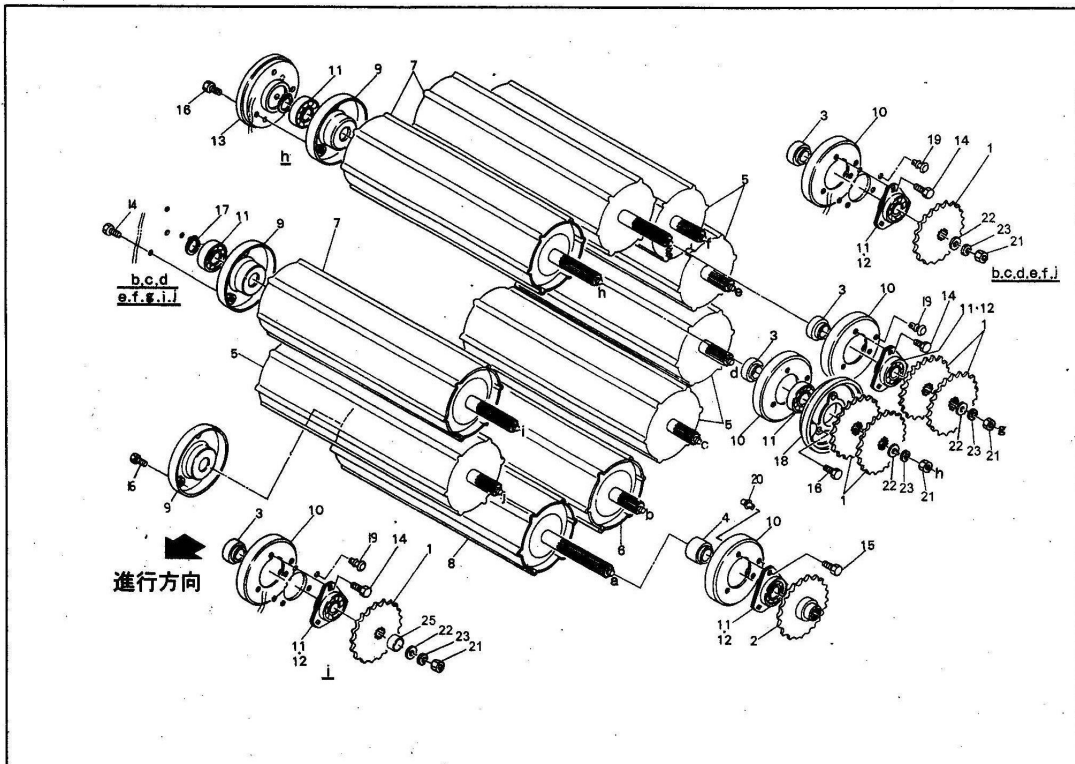
No.	Drawing No.	name	quantity
1	YK70.2-01	input shaft	1
2	YK70.2-02	gear box	1
3	YK70.2-03	gear case	1
4	YK70.2-04	bevel gear 12T	1
5	YK70.2-05	bevel gear 22T	1
6	YK70.2-10	shim	2
7	GB1096-79	Flat key 7×7×25 (A型)	2
8	YK70.2-06	shaft	1
9	GB297-84	Bearing 6305-2RS	1
10	GB297-84	Bearing 6305	1

11	GB297-84	Bearing 6304-2RS	1
12	JB2600-80	oil seal D40×62×10	1
13	JB2600-80	oil seal D25×45×7	1
14	JB2600-80	oil seal D25×52×8	1
15	GB894.1-86	shaft retaining ring 25	1
16	GB5786-86	Bolt M10X25 (8.8)	6
17	GB5786-86	Bolt M10×35 (8.8)	4
18	GB5786-86	Bolt M10×50 (8.8)	8
19		Screw plug: M10	1
20		Screw Plug washer: 10	1
21	YK70.2-10	plug	1
22	YK70.2-07	Sprocket CP;16T	1
23	YK70.2-08	flange	1
24	GB5786-2000	shear bolt ; M6×30	11
25	GB6710-86	Nut M6	11
26		bush	2
27	YK70.2-11	Shaft sleeve PIC; 35	1
28	GB893.1-86	Retaining washer 62	1
29	GB1152×79	Grease nipple ONA M6X1	1
33	YK70.2-09	Steel plate; 4.5	1
34	GB297-84	Bearing 6007-2RS	1
35	GB297-84	Bearing 6206	1

36	GB93-87	Spring washer 10	18
37	GB6710-86	nut M10 (8.8)	12

YK0850 round baler  
roller assy

滾筒 AS

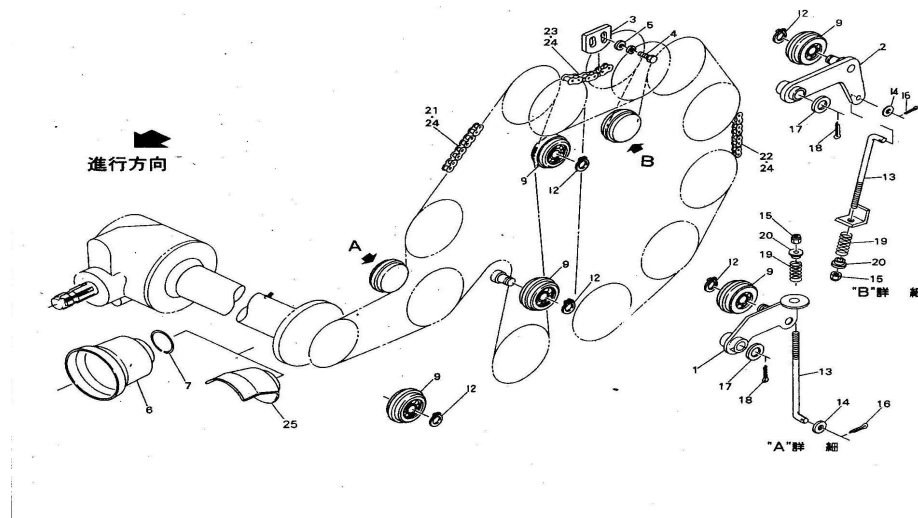


No.	Drawing No.	name	Qty
1	YK70.3-01	sprocket; 22T	11
		shim; 25.5X0.6	10
2	YK70.3-02	sprocket; 22T	1
3	YK70.3-03	bush; A	9
4	YK70.3-04	bush; B	1
5	YK70.3-05-00	Roller CP;1	5
6	YK70.3-06-00	Roller CP;2	1
7	YK70.3-07-00	Roller CP;3	3
8	YK70.3-08-00	Roller CP;4	1
9	YK70.3-09-00	flange CP	10
10	YK70.3-10-00	flange CP	10
11	GB7810-87	Spherical ball bearings CS205-2RS	20

12	GB/T 7813-1998	bearing seat	18
13	YK70.3-11	cover plate	1
14	GB5786-86	Bolt M8×20 (8.8)	48
15	GB5786-86	boltM8×25 (8.8)	3
16	GB5786-86	boltM8×30 (8.8)	9
17	GB894.1-86	shaft retaining ring 25	10
18	YK70.3-12	cover plate	1
19		rivet: 6×6	18
20		rivet: 6×10 rivet	2
21	GB6710-86	Nut M12	9
22	GB860-87	washer: Φ13×4.5	9
23	GB93-87	spring washer 12	9
25	YK70.3-13	bush	1

### YK0850.YK0870 圆捆机

#### 滚筒链轮压紧 chain transmission assy

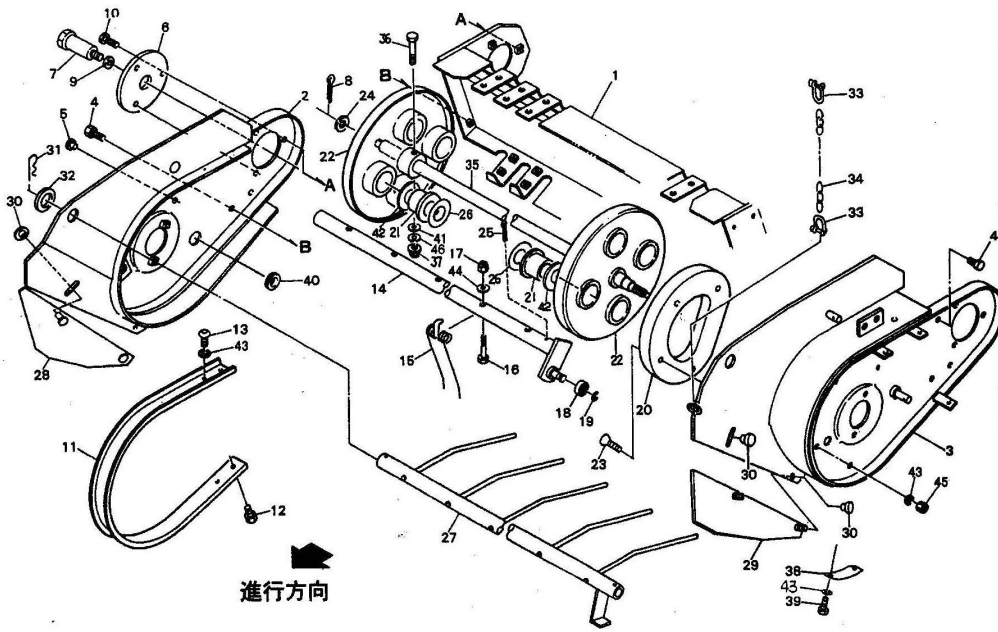


No.	Drawing No.	name	quantity
1	YK70.4-01-00	pulley bracket CP:A	1
2	YK70.4-02-00	pulley bracketCP:B	1
3	YK70.4-03	tension plate	1
4	GB5786-86	Spring washer, bolt M8×25 (8.8)	2
	GB860-87	Washer 8	2

5			
6		Shaft 650	1
7		steel wire retaining ring: S	1
9	YK70.4-04	Pulley CP	6
12		shaft retaining ring 17	5
13	YK50.4-05	pull rod YK0850	2
	YK70.4-05	pull rod YK0870	2
14	GB97.1-85	flat washer 10	2
15	GB	nylon locking nut M10	2
16	GB91-87	split pin 3.2×16	2
17	GB860-87	Washer 21×1.5	2
18	GB91-87	split pin 3.2×32	2
19	YK70.4-06	spring	2
20	YK70.4-07	spring seat	2
21	GB/T1243-2006	Chain 50SH-144-1 YK0850	1
	GB/T1243-2006	Chain 50SH-168-1 YK0870	1
22	GB/T1243-2006	Chain 50SH-126-1 YK0850	1
	GB/T1243-2006	Chain 50SH-146-1 YK0870	1
23	GB/T1243-2006	Chain 10A-42×1	1
24	GB/T1243-2006	chain joint 50SH	3

YK0850.YK0870 Round baler  
picking-up assy



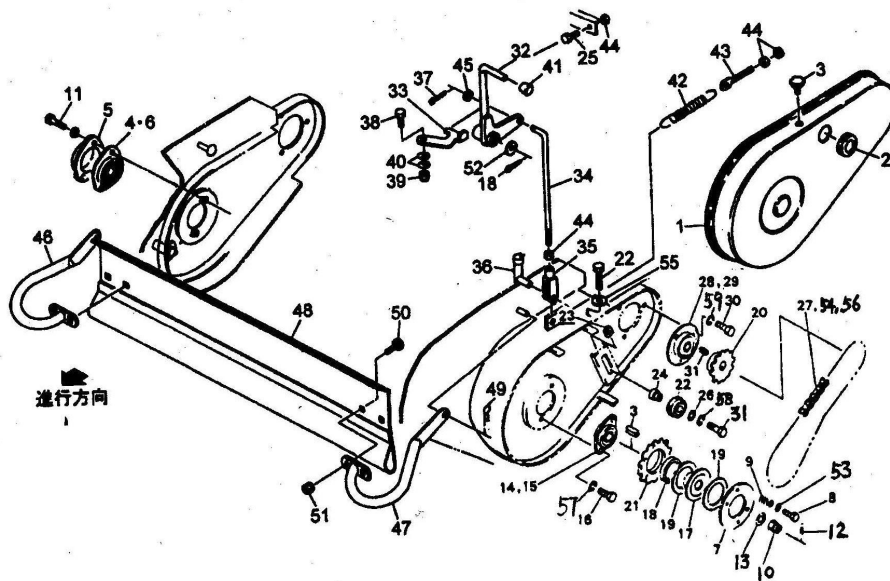


No.	Drawing No.	name	Qty
1	YK70.5-01-00	picking-up Assy bracket CP	1
2	YK70.5-02-00	picking-up Assy bracket CP;R	1
3	YK70.5-03-00	picking-up Assy bracket CP;L	1
4	GB5786-86	bolt M8×20 (8.8)	5
5	YK70.5-18	cover: 9	5
6	YK70.5-04	Steel plate	1
7	YK70.5-05	axis	1
8	GB91-87	Split pin 5×36	1
9	GB93-87	Spring washer 14	1
10	GB5786-86	Bolt M8×25 (8.8)	3
11	YK70.5-06	Protecting spring teeth	11

12	GB5786-86	bolt M8×20 (8.8)	22
13	RBT08020	<b>HEXAGON SOCKET flat HEAD SCREW</b> : M8×20(10.9)	22
14	YK70.5-07-00	Teeth rod CP	4
15	YK70.5-08	spring	24
16	GB5786-86	bolt M8×55 (8.8)	24
17	GB/T3098.9-2002	Nylon locking nut M8	24
18	GB7810-87	Bearing 6201-2RS(35×12×10)	4
19	GB894.1-86	Shaft retaining ring 12	4
20	YK70.5-09	Leading track	1
21	YK70.5-10	nylon sleeve	8
22	YK70.5-11-00	Racket CP	2
23	GB/T 70.3-2008	<b>HEX SOCKET Countersunk head screw</b> M8×20 (10.9)	4
24	YK70.5-12	shim	2
25	GB91-87	split pin 5×56	8
26	GB860-87	Washer 35×1.2	12
27	YK70.5-13	Spring teeth assy CP	1
28		Side cover shield (Optional)CP;R	1
29		Side cover shield (optional)CP;L	1
30		Plum nut(optional) M8	4
31		B Pin 19×3	2

32	GB860-87	washer	3
33		<b>D Shackle; 6-1/4</b>	2
34		Rectangle welding chain 4×23P×32	1
35	YK70.5-15	axis	1
36	GB5786-86	Bolt M10×70 (10.9)	2
37	GB/T3098.9-2002	Nylon locking nut M10	2
38	YK70.5-16	steel plate	1
39	GB5786-86	Bolt M8×12 (8.8)	2
40	YK70.5-17	cover	1
41	GB860-87	Washer 10	2
42	GB860-87	Washer 43×3.5	8
43	GB93-87	Spring washer 8	28
44	GB860-87	Washer 8	24
45	GB6710-86	Nut M8 (8.8)	4
46	GB93-87	spring washer 10	2

YK0850. YK0870 Round baler  
Picking-up sprocket Assy



No	Drawing No.	name	Qty
1	YK70.6-01-00	Sprocket cover CP	1
2	YK70.6-02	Dust cover	1
3		Plum-shaped bolt M8×14	3
4	GB7810-87	bearing CS204-2RS	1
5	YK70.6-18	Bearing cover	1
6		Bearing seat PFL204	1
7	YK70.6-03	Tension disc	1
8	GB5786-86	Bolt M10×65 (8.8)	4
9	YK70.6-04	彈簧 spring	4
10	GB97.1-85	<b>slotted nut</b> M20×1.5 GB9457	1
11	GB5786-86	Bolt M8×25 (8.8)	2
12	GB91-87	Split pin 4×25	1

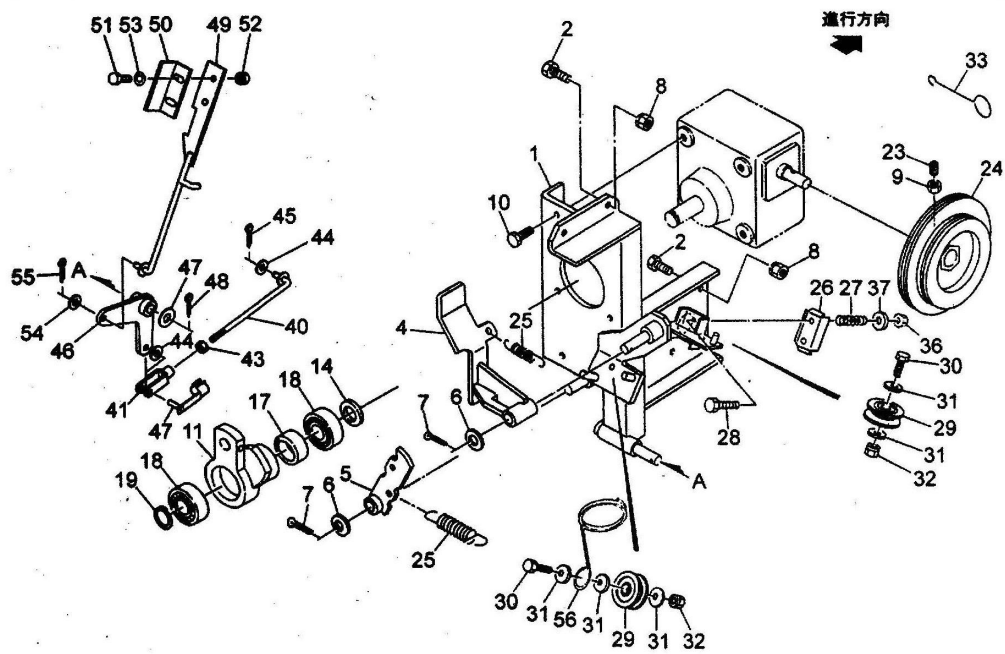
13	GB860-87	washer; 20	1
14	GB/T 7813-1998	Bearing seat PFL205	2
15	GB7810-87	Spherical ball bearings CS205-2RS	1
16	GB5786-86	Bolt M10X20 (8.8)	2
17	YK70.6-05	<b>Friction disc</b>	1
18	YK70.6-06	bush	1
19	YK70.6-07	Friction washer	2
20	YK70.6-08	sprocket; RS50×18T	1
21	YK70.6-09	sprocket; RS50×32T	1
22	YK70.4-04	Pulley CP	1
23	GB/T13680-1992	Square nut	1
24	YK70.6-11	bush	1
25	GB5786-86	Bolt M10x40 (8.8)	1
26	GB860-87	washer; 12	1
27	GB/T1243-2006	chain10A-59×1	1
28	<b>GB/T 7813-1998</b>	Bearing seat PF206	2
29	GB7810-87	Bearing CS206-2RS	1
30	GB5786-86	Bolt M10×20 (8.8)	3
31	GB5786-86	Bolt M12×45 (8.8)	1
32	YK70.6-12	Up-down Rod CP	1
33	YK70.6-13	Brake plate	1

34	YK50.6-14	Pull rod RXYK0850	1
	YK70.6-14	Pull rod RXYKB0870	1
35	YK70.6-15	fork; 10×40	1
36	GB882-86	pin; 10×40	1
37	GB91-87	Split pin 3.2×16	1
38	GB5786-86	Bolt M10×30(8.8)	1
39	GB/T3098.9-2002	Nylon locking nut M10	1
40	JB/ZQ 4340-2006	Disc washer 10	2
41	YK70.6-10	Handle sleeve; 12	1
42	YK70.6-17	Extension spring: H	2
43		Adjustable screw ; M10	2
44	GB6710-86	Nut M10 (8.8)	6
45	GB97.1-85	Flat washer 10	1
46		<b>Elbow bend</b> (optional) CP;R	1
47		<b>Elbow bend</b> <b>(optional)</b> CP:L	1
48		Shield (optional)	1
49		9 Pin(optional) 8×1.6	2

50		Square neck boltM8×15 (optional)	4
51	GB6710-86	Nut(optional) M8	4
52	GB860-87	Washer 21×1.5	1

53	GB860-87	washer ; 10	4
54		Joint 10A	1
56		Coupling part 10A	1
57	GB93-87	Spring washer 10	2
58	GB93-87	Spring washer12	2
59	GB93-87	Spring washer 10	3
	GB6710-86	nut: M12	1
	GB860-87	washer: 25×35×1.2	1
		shim: 25.5×0.6	1
	GB91-87	Split pin: 3.2×3.2	1
	GB860-87	washer ; 13×4.5	1

YK0850. YK0870 Round baler  
Twine binding bracket Assy



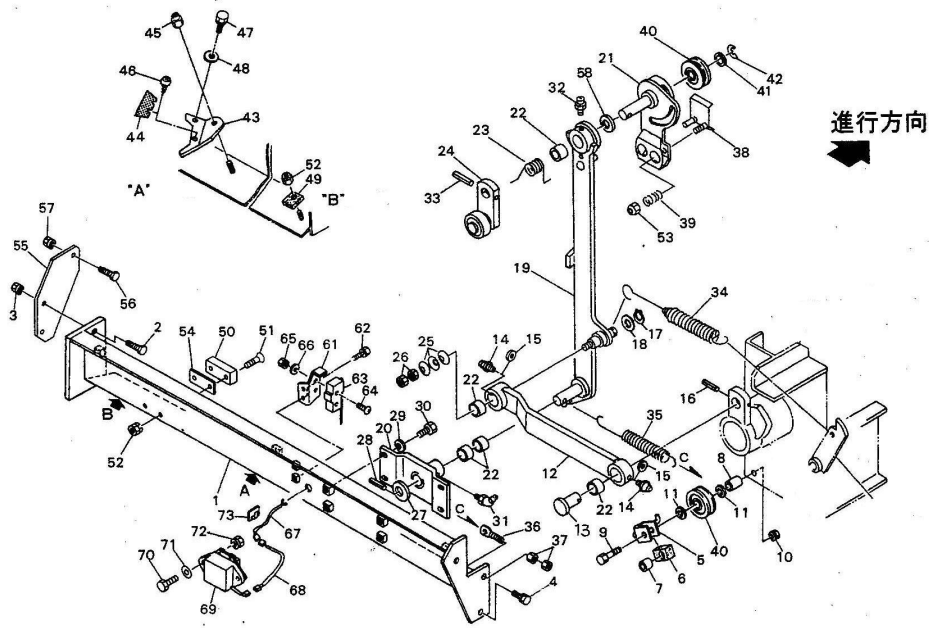
No.	Drawing No.	name	quantity
1	YK70. 7-01-00	Twine clip plate CP;1	1
2	GB5786-86	Bolt M8×20 (8.8)	6
4	YK70. 7-02-00	Pressure plate CP	1
5	YK70. 7-03	Tension plate CP	1
6	GB97. 1-85	Washer 12	2
7	GB91-87	Split pin 3.2×16	2
8	GB6710-86		6
9	GB6710-86	Nut M8	1
10	GB5786-86	Bolt M8×20	4
11	YK70. 7-04	cam	1
14	YK70. 7-05	Retaining ring 25	1



17	GB/T290-98	Single-direction Rolling bearing HK2520 (25×32×20)	1
18	GB297-84	bearing 6005-2RS (25X47X12)	2
19	GB484.1-86	Shaft spring retaining ring 25	1
23	GB/T 80-2000	<b>Hexagon socket set screw M8×20</b>	1
24	YK50.7-06	Twine pulley YK0850	1
	YK70.7-06	Twine pulley YK0870	1
25	YK70.7-07	Pull spring	2
26	YK70.7-08	slot plate	1
27	YK70.7-09	<b>compression spring</b>	2
28	GB5786-86	boltM6×50	2
29	YK70.7-10	pulleyCP	2
30	GB5786-86	boltM8×30 (8.8)	2
31	GB97.1-85	Flat washer 8	5
32	GB6710-86	nut M8	2
33	YK70.7-11	Twine hook	1
36	GB/T3098.9-2002	Nylon locking nut M6	2
37	GB97.1-85	Flat washer 6	2
40	YK70.7-12	Adjustable lever CP	1
41	YK70.7-13	Fork 8×32	1
42	YK70.7-14	Pin 8×30	1
43	GB6710-86	nutM8	1

44	GB97.1-85	Washer 8	2
45	GB91-87	Split pin 3.2×16	1
46	YK70.7-15	Fork rod CP	1
47	GB97.1-85	Flat washer 12	1
48	GB91-87	Split pin 3.2×16	1
49	YK70.7-16	Spring rod CP	1
50	YK70.7-17	<b>pressure pad</b>	1
51	GB5786-86	Bolt M6×20	2
52	GB6710-86	Nut M6	2
53	GB97.1-85	Flat washer 6	2
54	GB97.1-85	Flat washer 8	1
55	GB91-87	Split pin 3.2×16	1
56	YK70.7-18	Twine ring	1

YK0850. YK0870 Round baler  
Twine binding support Assy



No.	Drawing No.	name	quantity
1	TK70.8-01-00	Support rod CP;2	1
2	GB5786-86	Bolt M8×20 (8.8)	2
3	GB6710-86	Nut M8	2
4	GB5786-86	bolt M8×20 (8.8)	2
5	YK70.8-02-00	Rubber racket CP	1
6	YK70.8-03	rubber washer	1
7	YK70.8-04	bush	1
8	YK70.8-05	sleeve	1
9	GB5786-86	bolt M8×80 (8.8)	1
10	GB6710-86	nut M8 (8.8)	1
11	GB93-87	Spring washer 8	2
12	YK70.8-06-00	Swing arm CP	1

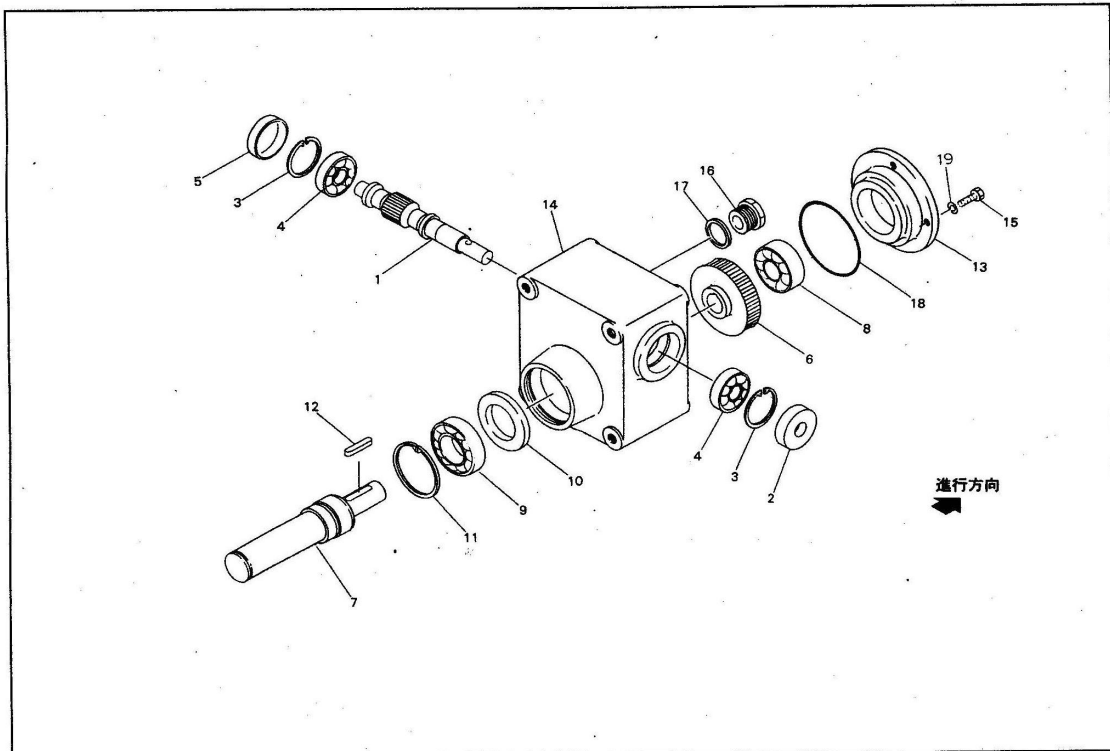
13	GB119-86	Cylindrical pin	1
14	GB1152×79	Grease nipple AM6×1	2
15	GB97.1-85	Flat washer 6	2
16	GB879-86	Spring cylindrical pin 6×36	1
17	GB894.1-86	Shaft spring retaining ring 15	1
18	GB97.1-85	washer 17×1.5	1
19	YK70.8-08-00	Support rod CP;1	1
20	YK70.8-09-00	bracket	1
21	YK70.8-10-00	Support rod	1
22	YK70.8-11	Nylon sleeve	5
23	YK70.8-12	Torsion spring	1
24	YK70.8-13-00	Pulley bracket CP:3	1
25	JB/ZQ4340-2006	Spring disc washer	3
26	GB6710-86	nut M8 (8.8)	2
27	GB97.1-85	Flat washer 17×1.5	1
28	GB879-86	Spring cylindrical pin 5×32	1
29	GB97.1-85	Flat washer 8	4
30	GB5786-86	bolt M8×20 (8.8)	4
31	GB1152×79	grease nipple ONA6 M6×1	1
32	GB1152×79	grease nipple ONA6 M6×1	1
33	GB879-86	Spring cylindrical pin 6×36	1
34	YK70.8-15	Extension spring; H	1

35	YK70.8-16	Extension spring; H	1
36	YK70.8-07	screw: M8	1
37	GB6710-86	nut M8 (8.8)	2
38	YK70.8-17-00	Slot pressure pad	1
39	YK70.8-18	<b>compression spring ; A</b>	1
40	YK70.7-10	pulleyCP	2
41	GB97.1-85	Flat washer 8	1
42		Opening retaining ring 5	1
43	YK70.8-19-00	Knife bracket	1
44	YK70.8-14	knife	1
45	GB/T3098.9-2002	Nylon locking nut M8	1
46	<b>GB/T 5280-2002</b>	Self-tapping screw M3×6	1
47	GB5786-86	bolt M8×20 (8.8)	1
48	GB97.1-85	Washer 8	1
49	YK70.8-20	Rubber washer	1
50	YK70.8-21	Nylon washer	1
51	GB 819-1985	Cross <b>Countersunk head screw</b> M8×35 (10.9)	2
52	GB/T3098.9-2002	Nylon locking nut M8	3
53	GB/T3098.9-2002	Nylon locking nut M6	1
54	YK70.8-22	plate	1
55	YK50.8-22	Plate YK0850	1
56	GB5786-86	bolt M8X16 (8.8) YK0850	1

57	GB6710-86	nut M8(8.8) YK0850	1
58	GB97.1-85	Flat washer 16	1
61	YK70.8-23	buzzer switch racket	1
62	GB5786-86	bolt M8×20 (8.8)	2
63		switch	1
64	GBT 818-2000	Cross crew M4×30	2
65	GB6710-86	nut M4 (8.8)	2
66	GB97.1-85	Flat washer: 4	2
	GB93-87	Spring washer :4	2
			1
		Twine clamp	1
		Plastic clip : 2.5×100	1

YK0850. YK0870 Round baler  
reducer assy

減速器 AS



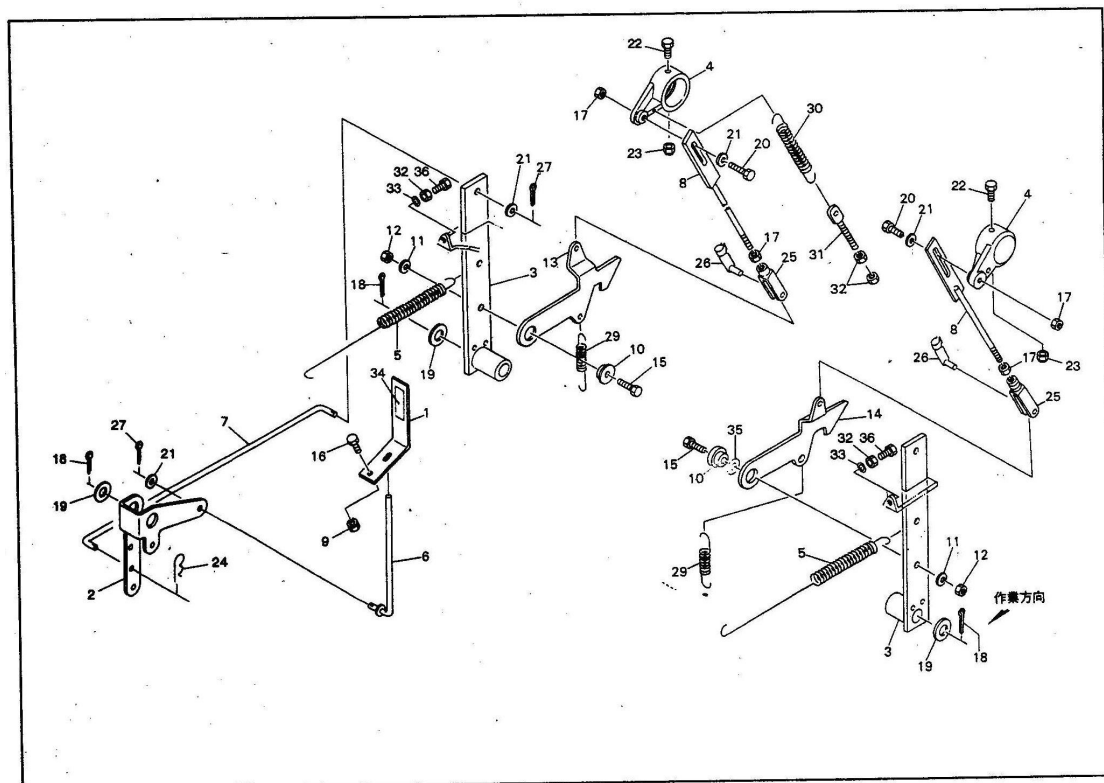
No.	Drawing No.	name	quantity
1	YK70.9-01	worm	1
2	GBT 9877-2008	Lip seal FB15×35×8	1
3	GB893.1-86	Holes Circlips 35	2
4	GB297-84	Bearing 6202	2
5	YK70.9-02	Sealing cover KRCA3507	1
6	YK7309-03	Wormgear	1
7	YK70.8-04	Worm-wheel shaft	1
8	GB297-84	Bearing 6203	1
9	GB297-84	Ball bearing 6005-2RS	1
10	D30507	Oil seal FB30×50×7	1

11	GB893.1-86	Retaining ring 47	1
12	GB1096-79	Flat key 5×5×25 (A型)	1
13	YK70.9-05	cover	1
14	YK70.9-06	case	1
15	GB5786-86	Bolt M6×16 (8.8)	4
16	YK70.9-07	Oil port bolt	1
17	YK70.9-08	Rubber washer	1
18	GB3452.1-82	O-rubber seal G-60	1
19	GB93-87	Spring washer 6	4

YK0850. YK0870 Round baler

Topper cover rod

机架上连杆 AS



No.	Drawing No.	name	quan
-----	-------------	------	------



			Quantity
1	YK70.10-01	Indicator board	1
2	YK70.10-02	Fork plate	1
3	YK70.10-03-00	Connecting plate	2
4	YK70.10-04	Topper cover	2
5	YK50.10-05	<b>extension spring</b> YK0850	2
	YK70.10-05	<b>extension spring</b> YK0870	2
6	YK50.10-06-00	Indicator rod YK0850	1
	YK70.10-06-00	Indicator rod YK0870	1
7	YK50.10-07	Pull rod YK0850	1
	YK70.10-07	Pull rod YK0870	1
8	YK50.10-08-00	Connecting rod YK0850	2
	YK70.10-08-00	Connecting rod YK0870	2
9	GB6710-86	nut M8	1
10	YK70.10-09	Shaft sleeve	2
11	GB93-87	Spring washer 10	2
12	GB6710-86	nut 10	2
13	YK70.10-10	hook ; R	1
14	YK70.10-11	hook: L	1
15	GB5786-86	Bolt M10×35 (8.8)	2
16	GB5786-86	bolt M10×20 (8.8)	1

17	GB6710-86	nutM8 (8)	4
18	GB91-87	Split pin3.2×32	3
19	GB97.1-85	平垫21×1.5 washer	3
20	GB5786-86	Bolt M8×25 (8.8)	2
21	GB97.1-85	washer 8	4
22	GB5786-86	bolt M8×75 (8.8)	2
23	GB/T3098.9-2 002	Nylon locking nut M8	2
24		B-pin 8×1.6	1
25	YK70.7-13	Connecting yoke; 8×32	2
26	YK70.7-14	Connecting pin; 8×32	2
27	GB91-87	Split pin3.2×16	2
29	YK70.10-12	<b>Extension Spring</b> ; 2.3×1 8×6 8	2
30	YK70.10-13	<b>Extension Spring</b> ; H	1
31	YK70.10-14	Pull rod; M1 0	1
32	GB6710-86	nut M10 (8)	4
33	GB93-87	washer 10	2
34		sticker	1
35	YK70.10-15	Adjusting shimΦ10.5×0.27	-
36	GB5786-86	Bolt M10×35 (8.8)	2

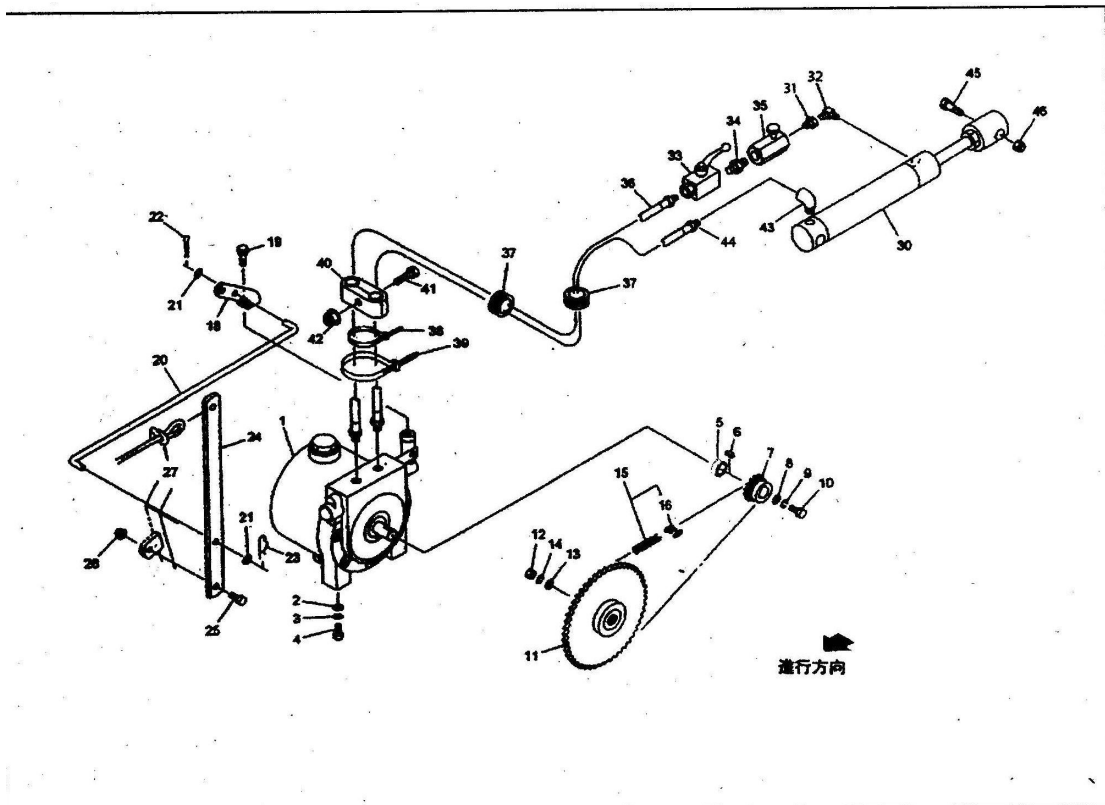


1	YK50.11-01-00	Front cover housing CP;L YK0850	1
	YK70.11-01-00	Front cover housing CP;L YK0870	1
2	YK50.11-02-00	Front cover housing CP;R YK0850	1
	YK70.11-02-00	Front cover housing CP;R YK0870	1
3	YK50.11-03-00	rear cover housing CP;L YK0850	1
	YK70.11-03-00	Rear cover housing CP;L YK0870	1
4	YK50.11-04-00	rear cover housing CP;R YK0850	1
	YK70.11-04-00	Rear cover housing CP; R YK0870	1
5	YK50.11-05-00	Cover housing CP;L YK0850	1
6	YK50.11-06-00	Cover housing CP; YK0850	1
7	YK70.11-07	Star handle : 50	8
8	JB/ZQ4340-2006	Disc spring washer	32
9	GB97.1-85	Flat washer 8	16
10	GB879-86	Spring cylindrical pin 4×16	8
11	GB5786-86	Bolt M8×16 (8.8)	4
12	YK70.11-08	reflector; R-80CI	2
13	GB6710-86	Nut M5	2
20	YK70.11-09	magnet	1

26	GB5786-86	bolt M8×20 (8.8)	4
27	GB6710-86	nut M8	4
28	GB5786-86	bolt M8×20 (8.8)	4
29	GB97.1-85	Flat washer 8	4
30	YK50.11-12-00	Cover housing; CP YK0850	1
	YK70.11-12-00	Cover housing; CP YK0870	1
31	GB5786-86	bolt M8×20 (8.8)	8
32	GB97.1-85	Flat washer8	8
35	YK70.11-13	sticker	1
36	YK70.11-14	sticker	1
37	YK70.11-15	sticker	1
38 38	YK70.11-16	Warning sticker	2
39	YK70.11-17	sticker	1
40	YK70.11-18	Warning sticker	1
41	YK70.11-19	Warning sticker	2
42	YK50.11-20	Warning sticker ; 850L YK0850	1
	YK70.11-20	Warning sticker ; 870L YK0870	1
43	YK50.11-21	Warning sticker ; 850R YK0850	1

21	YK50.11-10-00	gate; CP YK0850	1		YK70.11-21	Warning sticker : 870R YK0870	1
	YK70.11-10-00	gate; CP YK0870	1	44	YK70.11-22	Name of manufacturer	3
22	GBT 818-2000	cross head screw M6×12	2	45	YK70.11-23	sticker	1
23	GB97.1-85	Washer 6	2	46	YK70.11-24	sticker	1
24	GB6710-86	Nut M6	2		GB93-87	Spring washer :5	2
25	YK50.11-11-00	Cover box CP YK0850	1				
	YK70.11-11-00	Cover box CP YK0870	1				

YK0850. YK0870 Round baler  
Hydraulic pump assy



No.	Drawing No.	name	quantity
1	YK70.12-04-00	Hydraulic pump station ; 95R	1
2	GB97.1-85	Washer 10	2
3	GB93-87	Spring washer 10	2
4	GB5786-86	boltM10×25 (8,8)	2
5	YK70.12-01	Check sleeve	1
6	GB1096-79	Flat key5×5×20 (B type)	1
7	YK70.12-02	Small pulley 9T	1
8	GB97.1-85	Washer 6	1
9	GB93-87	Spring washer 6	1
10	GB5786-86	bolt M6×16 (8,8)	1
11	YK70.12-03	Large pulley 43T	1
12	GB6710-86	nutM12 (8.8)	1
13	GB97.1-85	washer: 13×4.5	1
14	GB93-87	Spring washer 12	1
15	GB/T1243-2006	chain08A-56×1	1
16	GB/T1243-2006	Chain joint 08A	1
18	YK70.12-05	Conneting board	1
19	GB5786-86	Bolt M8×16 (8.8)	1
20	YK70.12-06	Connecting rod	1
21	GB97.1-85	Washer 8	2

22	GB91-87	Split pin 3.2×16	1
23		B-pin 8×1.6	1
24	YK70.12-07	plate	1
25'	GB5786-86	bolt M8×25 (8.8)	1
26	GB/T3098.9-2002	Nylon locking nut M8	1
27	YK70.12-08	Nylon rope 6×3500	1
30	YK70.12-09-00	Cylinder CSH35×210×375	1
31		Conical female and male outside coupler G1/4×R1/4	1
32		90° conical male inside coupler G1/4×R1/4	1
33	GB/T12223-2005	Control valve Rc1/4	1
34		male coupler R1/4	1
35	GB/T8100-1987	Single-direction throttle valve Rc1/4	1
36	GB/T1277-99	Rubber hose G1 / 4×1000	2
37	YK70.12-10	bush; Φ35	2
38		Plastic hoop 2.5×100	3
39		Plastic hoop 4.8×251	2
43		90° conical male inside coupler G1/4×R1/4	4
44		90° female coupler G1/4	2

45	GB5786-86	bolt M16×80 (8.8)	2
46	GB/T3098.9-2 002	Nylon locking nut M6	2