

**Assembly Manual**

- 1.) Unpack all pieces from the tub & crate, empty bag with nuts, bolts and pins onto a flat surface.



- 2.) Find the main frame, lay on the floor with axle tabs facing up.



- 3.) Place the walking beams between the tabs on either side, there is not a right or left, either walking beam can be used for both sides, however the longer part of the arm goes to the front, line up the hole in the walking beam with the tabs on the frame, push pin in to hold axles in place.



- 4.) Install 13mm bolt & nut washer through the plate on the pin and the frame tab, tighten nut & Bolt. Install cotter pin, repeat for the opposite side.



5.) Grease both swivel pins.



6.) Install all 4 tires, R's on one side, L's on the other and tighten wheel nuts to 40ft/lbs.



7.) Flip frame section over so that the frame is higher than the walking beams.



8.) Install frame tube into main frame, ensure the holes at coupler end face up & down.



- 9.) The large bolt installs through frame tube and main frame, tighten nut. Tighten 2 bolts on the side of the frame rail, and then tighten retaining nuts.



- 10.) Slide battery box onto frame tube and then slide the tongue jack on.



- 11.) Slide the swivel coupler mount in, position the swivel up or down depending on your ATV hitch height, tighten both bolts.



- 12.) Grease swivel.





- 13.) Slide tongue jack to desired position, usually about 15cm (6") back of 1<sup>st</sup> swivel coupler bolt.

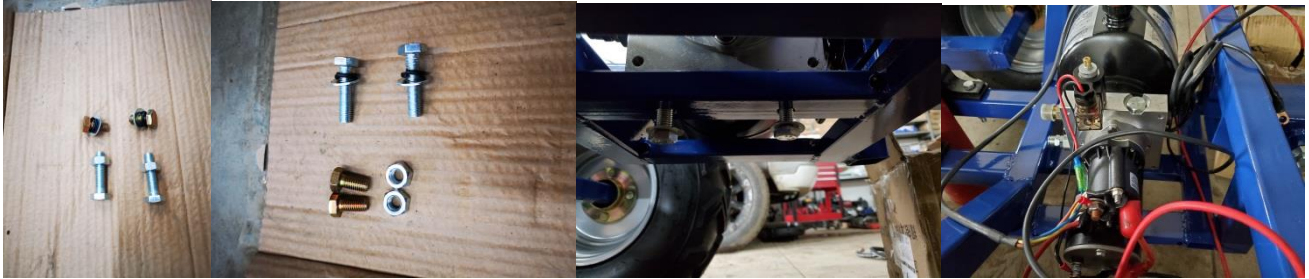


- 14.) Install hydraulic fitting into cylinder, install brackets and cylinder on frame, tighten all 4 bolts.



- 15.) Install hydraulic pump-there are two short, gold colored bolts that came in the same box as the hydraulic pump unit.

Remove the washers from these short bolts and set short bolts aside. Find the 2 silver bolts that are shown in the photo below, remove the nuts from the silver bolts, set nuts aside. Then slide the washers onto the silver bolts as shown in the 2<sup>nd</sup> photo below. Then, use the 2 silver bolts to mount the hydraulic unit to the trailer frame.



- 16.) Install hydraulic hose, mount to pump and cylinder, use tabs on frame and the supplied zip-ties to hold the hose to the frame. Cylinder can be mounted with the fitting either way as shown in the photo below



- 17.) Check and tighten all nuts holding wires, take care as overtightening can break the housing.  
Install cover over hydraulic unit with four short supplied bolts and nuts-diamond plate pattern down so the lid is centered in the hole.  
The tub guide ears will now be installed near the front of the frame using the 4 bolts and washers provided.



- 18.) Run the red, black and coated black controller wire along the frame using the clips to hold the wires in place, run the wires into the battery box and slide box into a position where the wires are long enough to attach to a battery and don't leave a lot of loose wire, tighten 2 battery box bolts to frame.



- 19.) Mount battery inside the box at this time if you have one.  
20.) Add approximately 4 litres of AW32 hydraulic oil.  
21.) Set tub onto frame lining up the swivel brackets.



- 22.) Line up holes and insert pins, lock pins in place with safety clips.



- 23.) Install 4 plastic covers into frame ends.

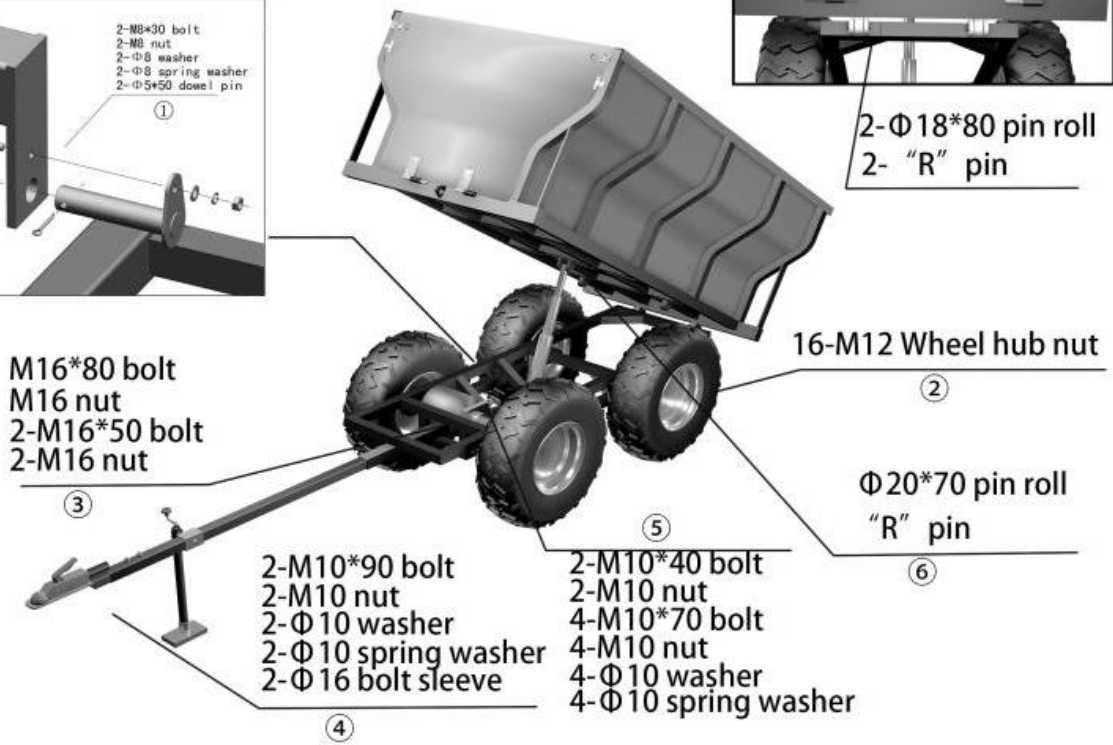
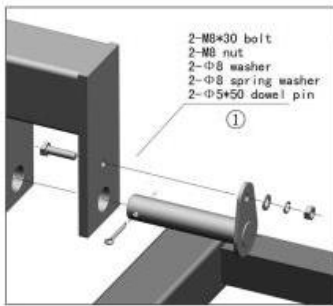


- 24.) Mount the cylinder to the ears on the bottom of the tub frame, push pin through and lock with a cotter pin.



- 25.) Connect red & black wire to a battery, Operate switch to raise and lower tub 2 or 3 times, check Hydraulic oil level, add more if needed.

ASSEMBLY DRAWING





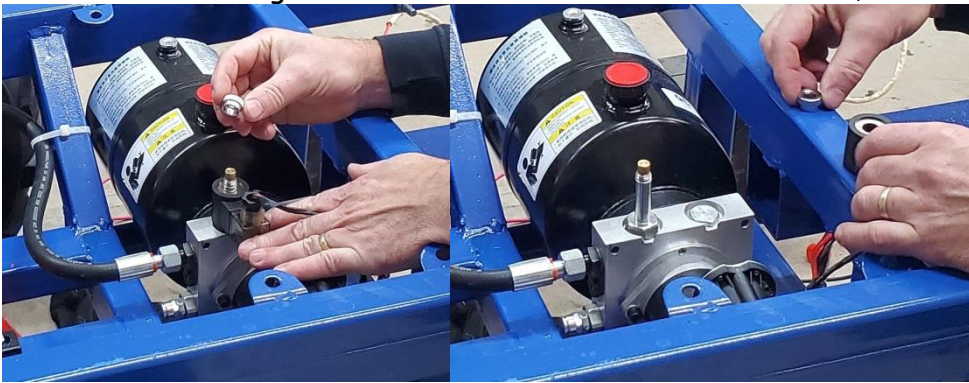
## Trouble Shooting

If the Tub/Deck comes down very slow it is usually because of an airlock which will usually work itself out after raising and lowering the tub/deck 2 or 3 times or letting it sit in the up position for 10 - 20 minutes. If the tub/deck continues to come down slowly and does not seem to want to come down the last section of the cylinder follow these steps to check and clean the hydraulic filter.

- 1) Use a 2x4 or other strong material to prop the tub/deck solidly, this support will be holding the full weight of the tub/deck in the air so make sure it is strong enough.



- 2) Use the remote control to lower the cylinder, putting all of the weight on your support and taking the pressure off the hydraulics.
- 3) Undo the nut holding the solenoid and then remove the solenoid, this nut is only hand tight.



- 4) Use a 15/16 wrench to undo the solenoid housing slowly.





5) When oil starts to seep out of the threads, stop turning until there is no pressure left in the oil coming out, usually just a few seconds.



6) When you pull the housing out you will see the stainless steel screen that needs cleaned, use brake cleaner or degreaser and a brush to clean the screen out. Screen can be removed if necessary for cleaning.



7) Re-install housing with clean filter using 15/16 wrench.



8) Re-install solenoid and tighten nut by hand only.



9) Use remote to raise tub/deck and remove 2x4 or support.

10) Lower tub/deck.